

ENSURING COST REDUCTION

CUSTOM FLANGE HANGERS FOR CUSTOM NEEDS

THE HORIZONTAL SUPPORT ALLOWS FOR A VALVE OR FLANGE TO BE PLACED AND SLID INTO THE EXACT POSITION REQUIRED FOR AN EVEN AND PROPER BOLT UP.

- DECREASE COST ASSOCIATED WITH EMPLOYEE INJURY
- LESSEN BOLT UP TIME BY 1/2 HELPING PROJECTS AND SHUT DOWNS REACH COMPLETION ON SCHEDULE
- TURN TWO OR THREE MAN JOBS INTO ONE
- UTILIZE FLANGE HANGERS TO SECURE COMPONENTS TO COMPLETE BOLT UP
- MINIMIZE CHANCES OF LEAKS FROM IMPROPER/UNEVEN BOLT UP

"IT IS HELPFUL TO ELIMINATE UNNECESSARY MANUAL HANDLING, WHICH THIS DEVICE DOES. IT IS EVEN MORE BENEFICIAL AS THE VALVES ARE OFTEN HEAVY AND FOUND IN LOCATIONS THAT REQUIRE AWKWARD POSTURES"

~ INNOVATIVE ERGONOMIC SOLUTIONS

THE FLANGE HANGER IS A NEW INNOVATIVE SUPPORT TOOL DESIGNED TO INCREASE SAFETY AND REDUCE COSTS ON ANY WORKSITE/PROJECT. WITH THE SLEEK DESIGN, IT IS AN ENGINEERED AND CERTIFIED "GAME CHANGING" SUPPORT TOOL. THE FLANGE HANGER CAN BENEFIT ANY OPERATION THAT HAS ANY VALVES, FITTINGS OR FLANGED PIPE.

THE FLANGE HANGER IS EASY TO USE, AND CAN SEAMLESSLY BE INSERTED INTO THE BACK SIDE OF A FIXED FLANGE. THE HORIZONTAL SUPPORT ALLOWS FOR FLANGED MATERIAL TO BE PLACED AND SLID INTO THE EXACT POSITION REQUIRED FOR AN EVEN AND PROPER BOLT UP.

TO VIEW PICTURES AND VIDEOS OF THE FLANGE HANGER VISIT WWW.FLANGEHANGER.COM

WWW.BEAED.COM



PROVIDING WORKER SAFETY

A "GAME CHANGING" SUPPORT TOOL

THE FLANGE HANGER WILL HELP ENSURE YOUR SAFETY GOALS AND COST SAVING INITIATIVES IN YOUR OPERATION.

- MITIGATE UNNECESSARY BACK STRAIN FROM IMPROPER POSITIONING
- REDUCE PINCH POINTS AND SLIPS & TRIPS
- ALLEVIATE THE DANGERS OF FALLING OR DROPPING HEAVY TOOLS
- LIMIT UNNECESSARY PROLONGED LIFTING AND MUSCLE FATIGUE
- DECREASE VALVE REPLACEMENT TIME IN CONFINED AREAS

"I'M ALWAYS LOOKING FOR SOMETHING TO HELP MAKE MY JOB EASIER, FASTER, COST EFFICIENT AND SAFE. THE FLANGE HANGER IS A TOOL TO HELP ME ACHIEVE ALL THESE POINTS"

~ ROB GRANBERG, GRAND PRAIRIE AB

FULLY CERTIFIED

- ASME B16.5: PIPE FLANGES, FITTINGS •
- PROVINCIAL OH&S REGULATIONS •
- SUPPORT UP TO 2000 LBS •
- CAN/CSA S16: DESIGN OF STEEL STRUCTURES •
- STANDARD WELDING & FABRICATION PRACTICES •
- CAN/CSA W59: WELDED STEEL CONSTRUCTION •
- CUSTOM FLANGE DESIGNS •
- ENGINEERED •
- LOAD TESTED, JC •
- SIZES FROM 2" TO 12" •



"MY GOAL WITH THE FLANGE HANGER IS TO CREATE AWARENESS AROUND WORKPLACE SAFETY.

WITH ORDERS COMING IN. ITS EVIDENT THAT EMPLOYEES AND CONTRACTORS ARE ON BOARD AS WELL TO REDUCE WORKPLACE INJURIES AND MAXIMIZE ON CREW EFFICIENCY"

~ JAMES COURTENAY, PRESIDENT



THE FLANGE HANGER

A DIVISION OF COURTENAY EXPLORATION

THE FLANGE HANGER IS A SUPPORT TOOL ENGINEERED TO IMPROVE SAFETY WHILE REDUCING COSTS ON THE JOB SITE

WWW.BEAE.COM

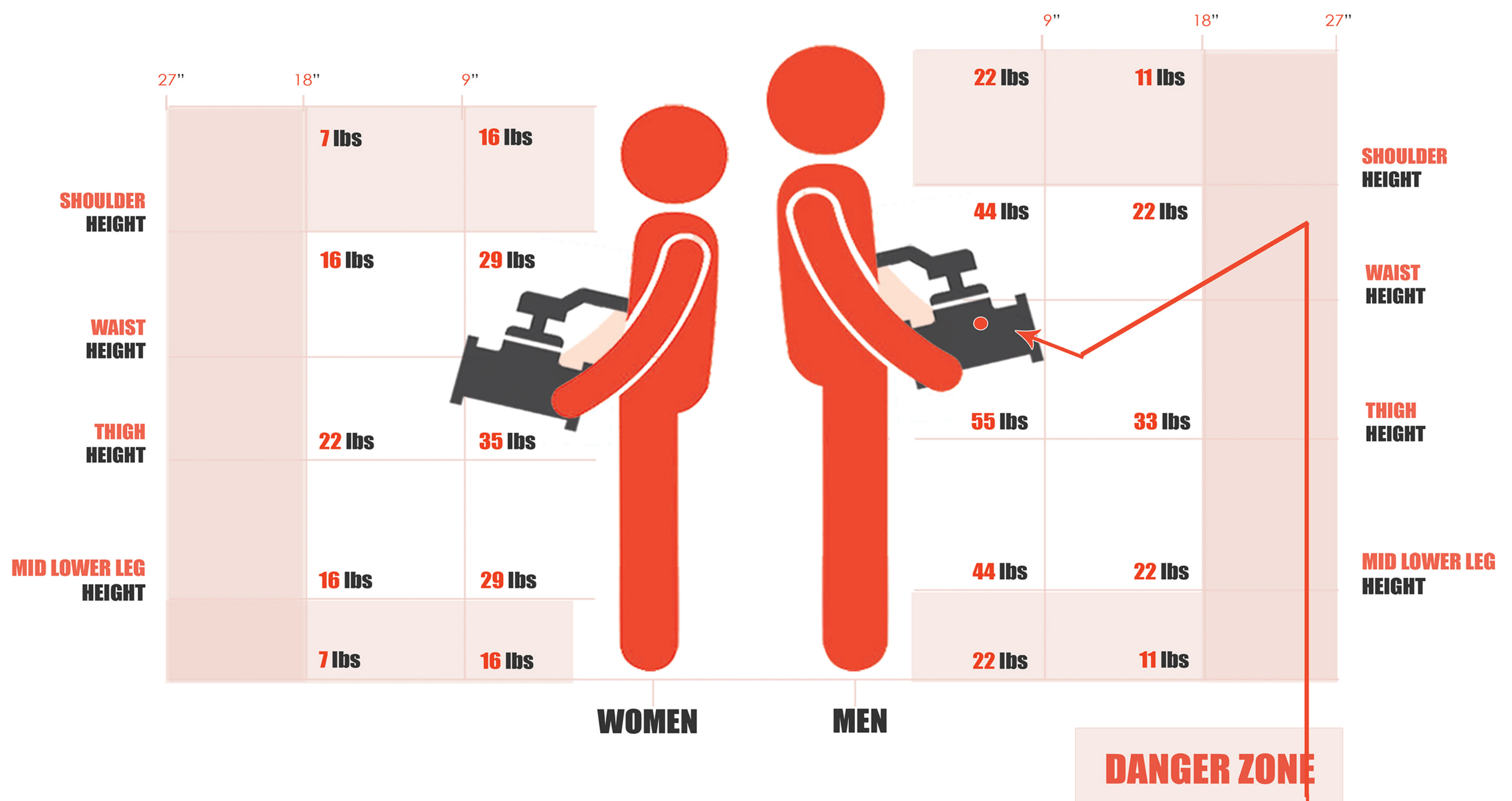
800.972.6741



PROPER LIFTING TECHNIQUES

A recent survey from the BLS (Bureau of Labour Statistics) shows that **75%** of back injuries occur while performing lifting tasks.

This statistic highlights the importance of educating workers on proper lifting techniques, and the thresholds of moving heavy materials.

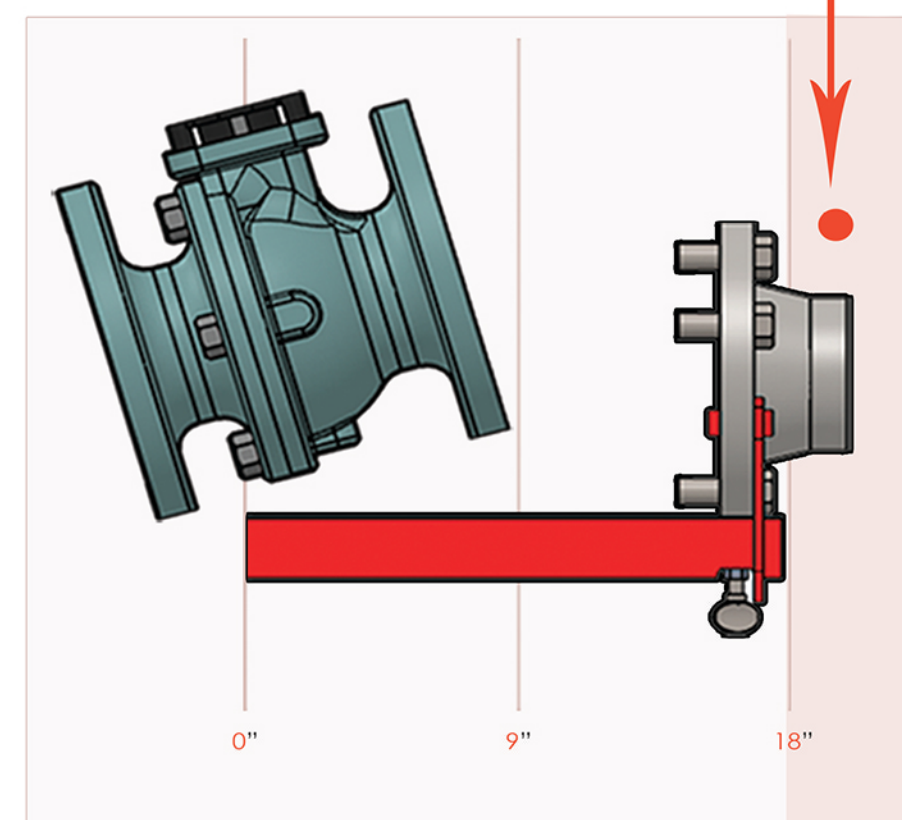


EXTENDED REACHING

Knowledge of ergonomics, engineering, and the work environment are the beginning steps to reducing injuries in the workplace.

Reaching to heights or distances outside of the range of knuckle to shoulder height can lead to upper body injuries, especially when **needing to reach 18"** or more from the body.

Reaching creates greater stress on muscles and tissues when lifting materials. The **Flange Hanger** protects your neck, back & shoulders by doing the material handling for you.



FLANGE HANGER

DIVISION OF COURTENAY EXPLORATION

WWW.BEARED.COM